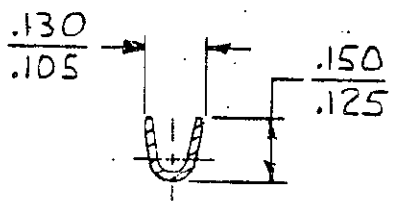
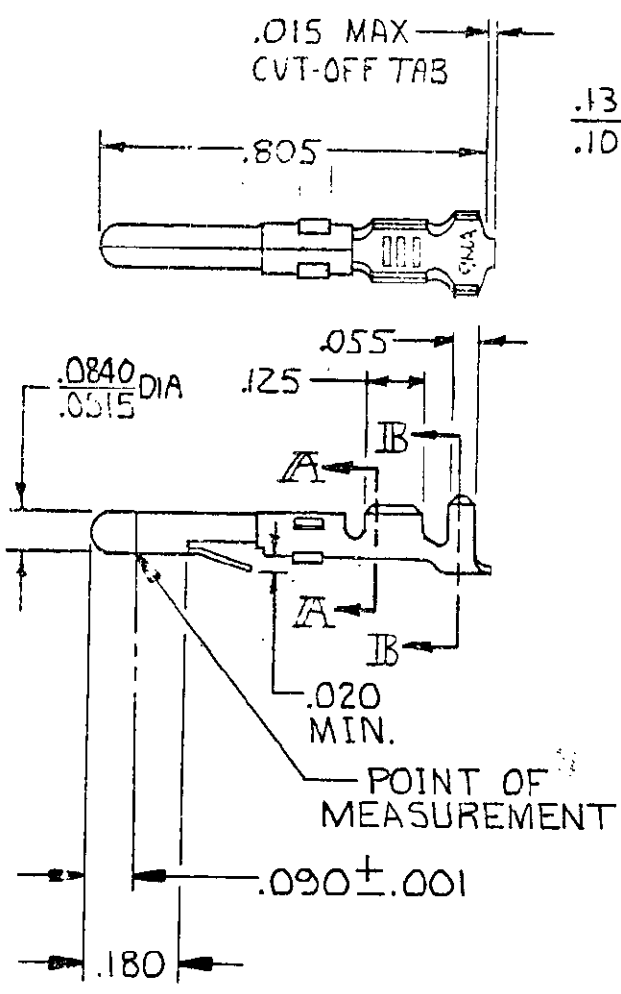
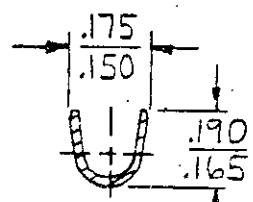


© COPYRIGHT 1955 BY AMP INCORPORATED, HARRISBURG, PA. ALL INTERNATIONAL RIGHTS RESERVED. AMP INCORPORATED PRODUCTS COVERED BY U.S. AND FOREIGN PATENTS AND /OR PATENTS PENDING.

REVISIONS				
LTR	DESCRIPTION	DATE	APPROVED	PIF
N	REV PER CM-1734	8-17-88	PKC	RS
P	REVISED PER CM-3285	2-12-91	PKC	RS
R	REV PER EC 0730-4265-93	4-4-94	RV	RS
S	REV PER EC 0730-0142-94	8-15-94	RV	RS



SECTION A-A



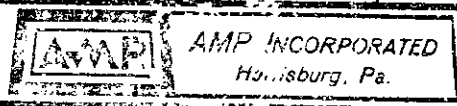
SECTION B-B

⚠ .000030 GOLD INSIDE WIRE BARREL & ON TIP OF PIN. REMAINDER OF CONTACT IS NICKEL PLATE.

GOLD	⚠	.012 BRASS	60620-5
PRE-TIN		PL. BRZ	-4
PRE-TIN		.012 BRASS	60620-1
FINISH		MATERIAL	PART NO

UNLESS OTHERWISE SPECIFIED DIMENSIONS ARE IN INCHES. TOLERANCES ON: DECIMALS ± .015 ANGLES ±

CONTRACT NO	
DR	M. FEHER 11-26-79
CHK	<i>[Signature]</i> 11/80
APPD	<i>[Signature]</i> 1-7-81



MATERIAL	SEE TABLE
FINISH	SEE TABLE

NAME			PIN, LOOSE PIECE, COMMERCIAL MATE-N-LOK		
SIZE	CODE IDENT NO	DRAWING NO			
A	00779	60620			
SCALE		SHEET			